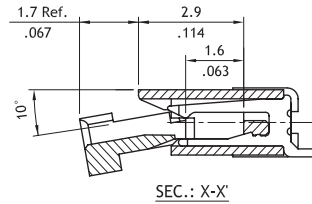
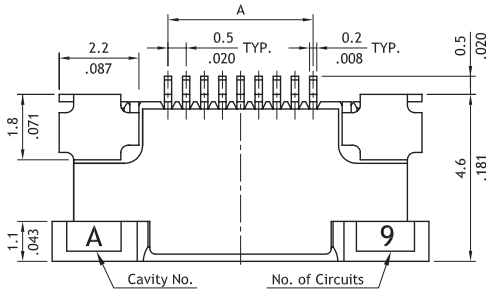
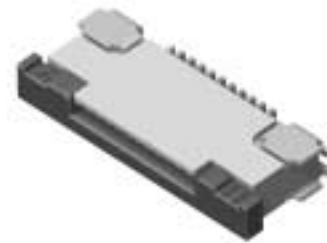


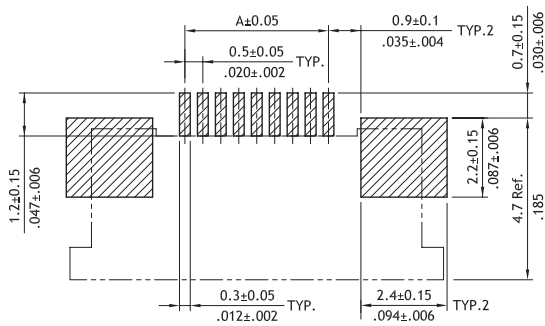
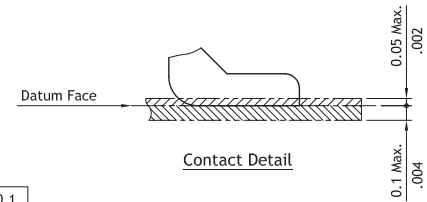
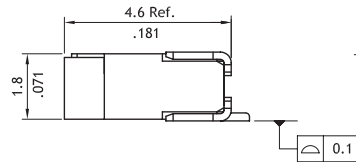
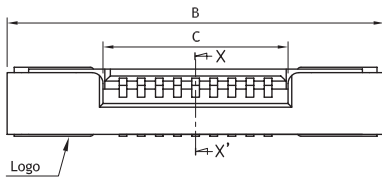
"Your Connection"

PA01 Series 0.50mm(.020") SMT ZIF FFC/FPC Upside Connectors

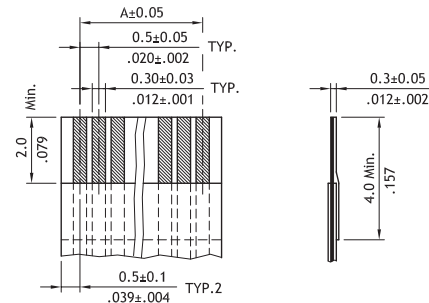
- ⊙ Tin plated Phosphor Bronze Upside contact
- ⊙ Insulation: High temperature plastic UL 94V-0, Color Natural
- ⊙ Slider: High temperature plastic UL 94V-0, Color Brown
- ⊙ Actuator designed for easy FFC/FPC installation
- ⊙ Fully checked by CCD and Hi-Pot test
- ⊙ With fixed metal tabs to secure connector in place
- ⊙ Available in Tube or Reel packing
- ⊙ Engineering No's: CF21 Series



A = 0.50 * No. of Spaces
 B = A + 6.4
 C = A + 1.1
 * Available in 6 through 50 circuits



Solder Pad Pattern



Accommodated FFC/FPC

Ordering Code

1 PA**01** **2** 5**0** **3** 1 **4** U **5** 0 **6** R**0**

- 1** Series No.
- 2** Circuits : 06 to 50
- 3** Plating code:
1= Tin over Nickel

- 4** Contact style:
U= Upside contact
- 5** Color: 0= Natural

- 6** Other options:
R0= Tape & Reel
T0= Tube Packing
* Special options Consult factory