

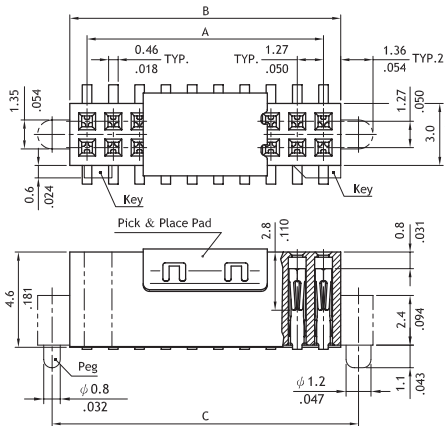
# PF03 Series Dual Row Female Header

## 1.27mm(.050") Center Spacing

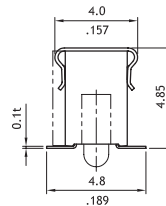
- ⊙ Mates with PG04, PG05, PG06, PG07 and PG08 connectors
- ⊙ Pick and Place Pad available
- ⊙ High performance contact design
- ⊙ Available with PCB pegs
- ⊙ Engineering No's: CBC1 Series



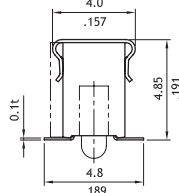
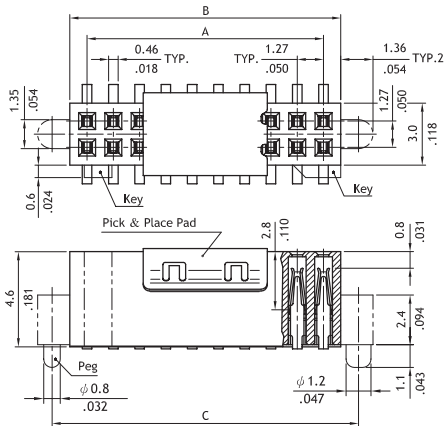
P/N: PF03\*\*\*M1\*0-1\*



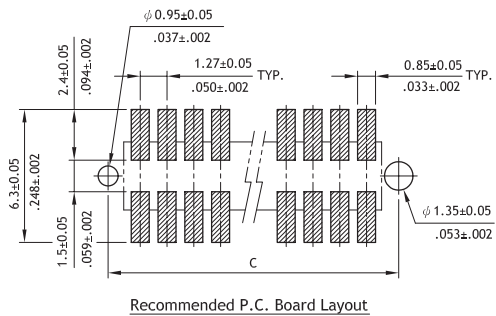
A = 1.27 X No. of Spaces  
 B = A + 1.67  
 C = A + 3.05  
 \* Available in 6 through 100 Circuits



P/N: PF03\*\*\*M1\*0-2\*



Without Key and Peg ; Without Pick & Place Pad	
With Key and Pegs ; Without Pick & Place Pad	
Without Key ; With Pegs ; Without Pick & Place Pad	
Without Key and Peg ; With Pick & Place Pad	
With Key and Pegs ; With Pick & Place Pad	
Without Key ; With Pegs ; With Pick & Place Pad	



## Ordering Code

**1** PF03    **2** 06    **3** A    **4** M    **5** 1    **6** 00 - **7** 2    **8** P

- |  |  |   |
|--|--|---|
| <p><b>1</b> Series No.</p> <p><b>2</b> Circuits:<br/>         06 to 100<br/>         (X1= 100)<br/>         with keys:<br/>         10, 20 ~ 100<br/>         (X1= 100)<br/>         without keys: 06 ~ 100<br/>         (X1= 100)</p> | <p><b>3</b> Plating code:<br/>         A= Selective Gold flash over Nickel plated<br/>         * Optional plating available but MOQ requested</p> <p><b>4</b> Tail Style:<br/>         M= SMT Type</p> <p><b>5</b> Insulator Color: 1= Black</p> | <p><b>6</b> Other options:<br/>         00= Without Key and Peg (Standard)<br/>         10= With Keys and Pegs<br/>         20= Only With Pegs</p> <p><b>7</b> Pin Size for mate Pin header:<br/>         1= 0.46mm Round Pin<br/>         2= 0.4mm Square Pin</p> <p><b>8</b> 0= Without Pick &amp; Place Pad (Tube packing)<br/>         P= With Pick &amp; Place Pad (Tape &amp; Reel)</p> |
|--|--|---|