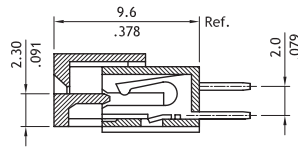
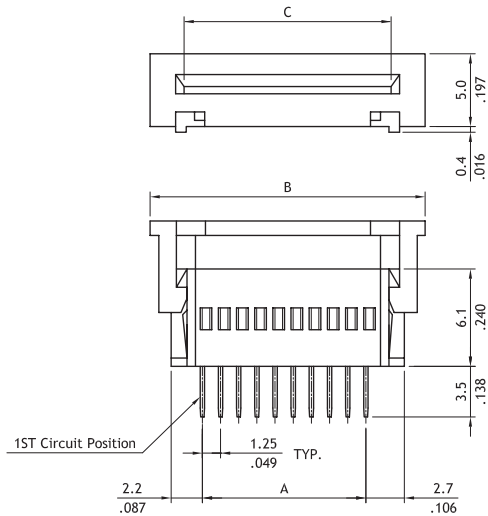
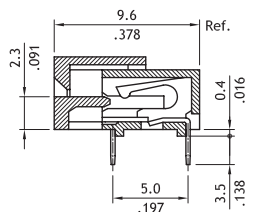
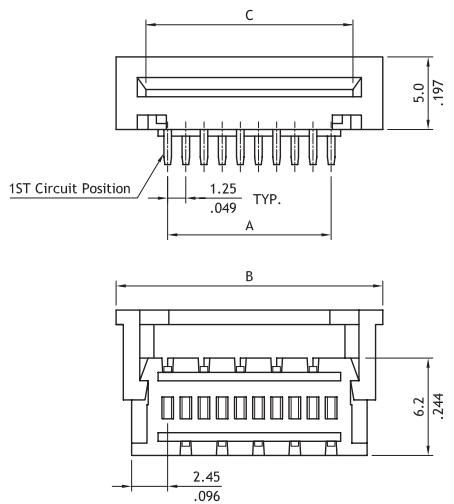
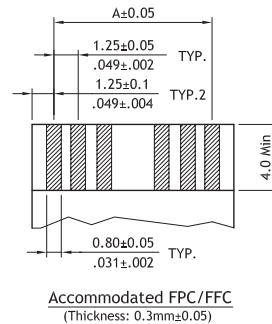
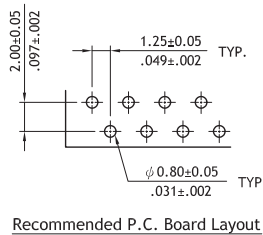


PA07 Series 1.25mm(.049") ZIF FFC/FPC Connectors

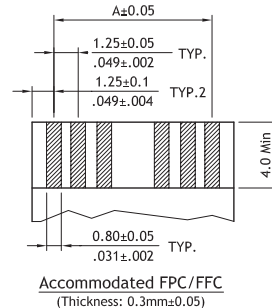
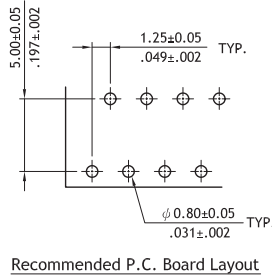
- ⊙ Standard with Tube packing
- ⊙ Tin plated contacts
- ⊙ Insulation: Glass filled polyester UL 94V-0, Color Natural
- ⊙ Accommodates 0.3mm FFC/FPC thickness
- ⊙ Engineering No's: CF01 Series



A = 1.25 * No. of Spaces
 B = A + 7.1
 C = A + 2.7
 * Available in 3 through 32 circuits



A = 1.25 * No. of Spaces
 B = A + 7.1
 C = A + 2.7
 * Available in 3 through 32 circuits



Ordering Code

1 PA **07** **2** 32 **3** 1 **4** V **5** 0 **6** 00

- 1** Series No.
- 2** Circuits : 03 to 32
- 3** Plating code:
1= Tin over Nickel
- 4** Entry option:
V= Straight
H= Right angle
- 5** Color: 0= Natural
- 6** Other options:
00= Standard
* Special options Consult factory