

# PB01 Series 2.00mm(.079") Dual Row Wire to Board Connector

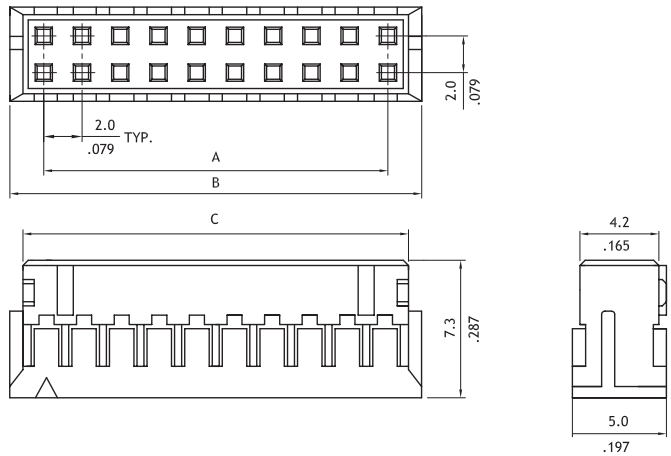
- ⊙ Low profile latch housing
- ⊙ Mates with PB01, PG13, PG14, PG15, PG16 header
- ⊙ Compatible with PB01 crimp clip terminal (P/N PB01 TD21PEO)
- ⊙ Terminal accommodates AWG #22 ~ #30



## Construction

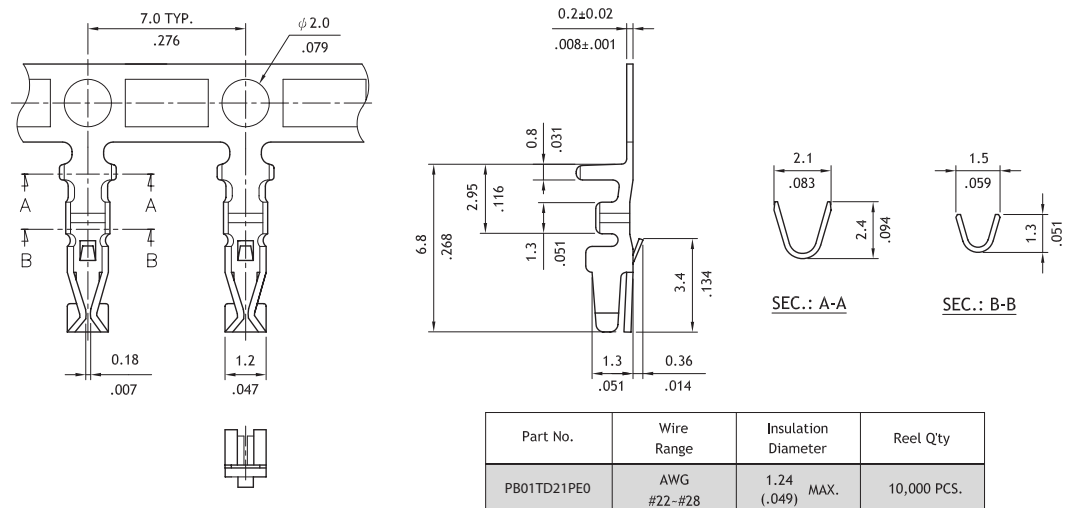
- ⊙ Insulator: Nylon 66 UL 94V-0, Color Natural
- ⊙ Terminal: Tin plated Phosphor Bronze
- ⊙ Engineering No's: CI01 Series

:E159616



A = 2.0 x (No. of Circuits/2-1)  
 B = A + 3.9  
 C = A + 2.5  
 \* Available in 6 through 32 circuits

⊙ Engineering No's: CI01 Series



Part No.	Wire Range	Insulation Diameter	Reel Qty
PB01TD21PE0	AWG #22-#28	1.24 (.049) MAX.	10,000 PCS.

## Ordering Code

**1** **PB01**   **2** **16**   **3** **S**   **4** **D000**

- 1** Series No.
- 2** No. of Circuits: 06 to 32
- 3** S= Connector housing
- 4** Other options:  
 D000= Dual row housing  
 \* Special options Consult factory

**1** **PB01**   **2** **TD2**   **3** **1**   **4** **P**   **5** **E**   **6** **0**

- 1** Series No.
- 2** Type: TD2= AWG #22 ~ #28
- 3** Plating : 1= Tin over Nickel plated
- 4** Material:  
 P= Phosphor Bronze
- 5** Plating method : E= Pre-tinned
- 6** Other options:  
 0= Standard