

# PB02 Series 2.00mm(.079") Board In Connector

- ⊙ Low profile latch housing
- ⊙ Compatible with PB02 crimp board in terminal
- ⊙ Straight terminal accommodates AWG #24 ~ #30
- ⊙ Right angle terminal accommodates AWG #24 ~ #28

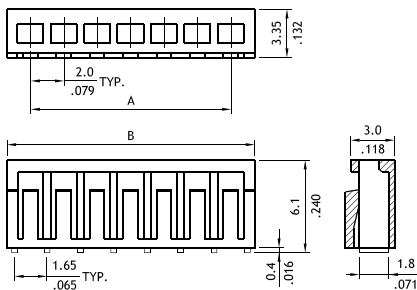


## Construction

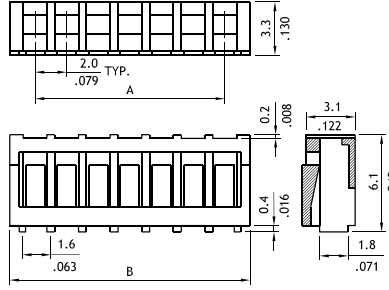
- ⊙ Insulator: Nylon 66 UL 94V-0, Color Natural
- ⊙ Terminal: Tin plated Phosphor Bronze
- ⊙ Engineering No's: CI02/2012 Series

E159616

P/N PB02\*\*S0000

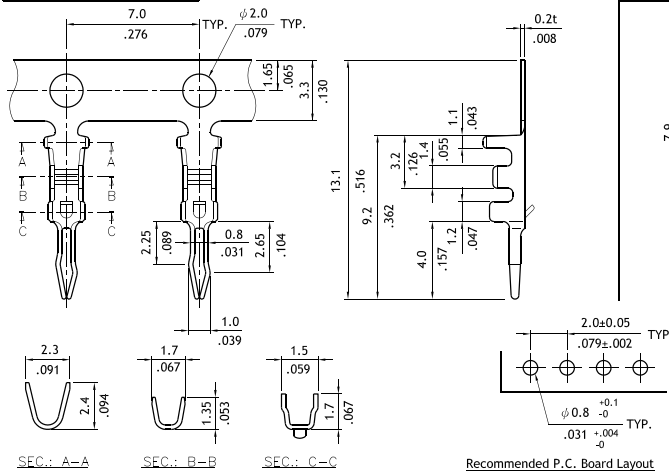


P/N PB02\*\*S000H

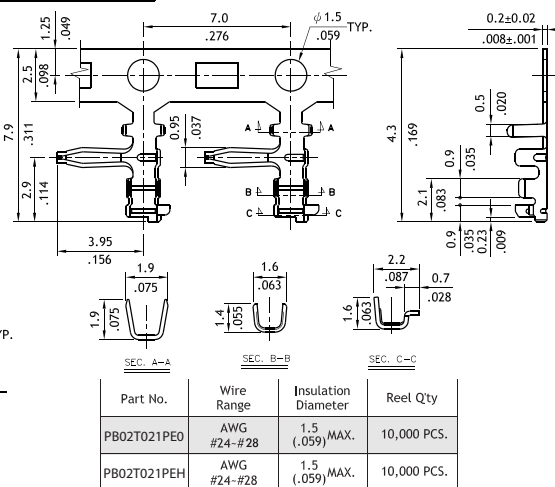


Circuits	Dimension	
	A	B
2	2.0(.079)	5.2(.205)
3	4.0(.157)	7.2(.283)
4	6.0(.236)	9.2(.362)
5	8.0(.315)	11.2(.441)
6	10.0(.394)	13.2(.520)
7	12.0(.472)	15.2(.598)
8	14.0(.551)	17.2(.677)
9	16.0(.630)	19.2(.756)
10	18.0(.709)	21.2(.835)
11	20.0(.787)	23.2(.913)
12	22.0(.866)	25.2(.992)
13	24.0(.945)	27.2(1.071)
14	26.0(1.024)	29.2(1.150)
15	28.0(1.102)	31.2(1.228)
16	30.0(1.181)	33.2(1.307)

P/N PB02T011PEO



P/N PB02T011PEH



Part No.	Wire Range	Insulation Diameter	Reel Qty
PB02T021PEO	AWG #24-#28	1.5 (.059) MAX.	10,000 PCS.
PB02T021PEH	AWG #24-#28	1.5 (.059) MAX.	10,000 PCS.

## Ordering Code

**1** PB02    **2** 16    **3** S    **4** 0000

- 1** Series No.
- 2** No. of Circuits: 02 to 16
- 3** S= Connector housing
- 4** Housing style:  
0000= For straight terminal  
000H= For right angle terminal  
\* Special options Consult factory

**1** PB02    **2** T02    **3** 1    **4** P    **5** E    **6** 0

- 1** Series No.
- 2** Type: T02= AWG #24 ~ #28
- 3** Plating : 1= Tin over Nickel plated
- 4** Material:  
P= Phosphor Bronze
- 5** Plating method : E= Pre-tinned
- 6** Terminal style:  
0= Straight  
H= Right angle