

PB05 Series 2.5mm(.098") Wire to Board Connector

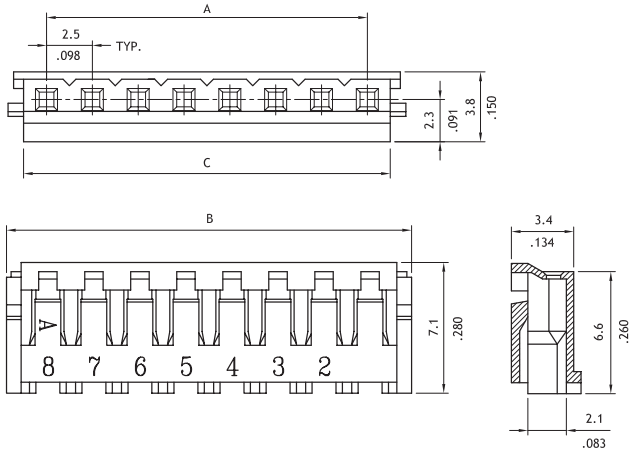
- ⊙ Low profile with locking ribs
- ⊙ Mates with PB05 header
- ⊙ Compatible with PB05 crimp clip terminal
- ⊙ Terminal accommodates AWG #24 ~ #28

Construction

- ⊙ Insulator: Nylon 66 UL 94V-0, Color Natural
- ⊙ Terminal: Tin plated Phosphor Bronze
- ⊙ Engineering No's: CI21/2420 Series

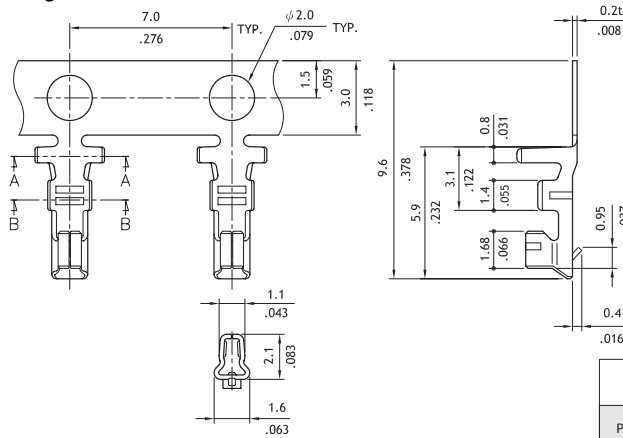


CI **CI**:E159616



Circuits	Dimension		
	A	B	C
2	2.5(.098)	7.0(.276)	5.4(.213)
3	5.0(.197)	9.5(.374)	7.9(.311)
4	7.5(.295)	12.0(.472)	10.4(.409)
5	10.0(.394)	14.5(.571)	12.9(.508)
6	12.5(.492)	17.0(.669)	15.4(.606)
7	15.0(.591)	19.5(.768)	17.9(.705)
8	17.5(.689)	22.1(.870)	20.4(.803)
9	20.0(.787)	24.5(.965)	22.9(.902)
10	22.5(.886)	27.0(1.063)	25.4(1.000)
11	25.0(.984)	29.5(1.161)	27.9(1.098)
12	27.5(1.083)	32.0(1.260)	30.4(1.197)
13	30.0(1.181)	34.5(1.358)	32.9(1.295)
14	32.5(1.280)	37.0(1.457)	35.4(1.394)
15	35.0(1.378)	39.5(1.555)	37.9(1.492)

⊙ Engineering No's: CI21/2453 Series



Part No.	Wire Range	Insulation Diameter	Reel Qty
PB05T021PE0	AWG #24-#28	1.6 (.063) MAX.	10,000 PCS.

Ordering Code

1 **2** **3** **4**
PB05 15 S 0000

- 1 Series No.
- 2 No. of Circuits: 02 to 15
- 3 S= Connector housing
- 4 Other options:
0000= Standard

* Special options Consult factory

1 **2** **3** **4** **5** **6**
PB05 T02 1 P E 0

- 1 Series No.
- 2 Type: T02= AWG #24 ~ #28
- 3 Plating : 1= Tin over Nickel plated
- 4 Material: P= Phosphor Bronze
- 5 Plating method : E= Pre-tinned
- 6 Other options: 0= Standard