

PB06 Series 2.50mm(.098") Wire to Board Connector

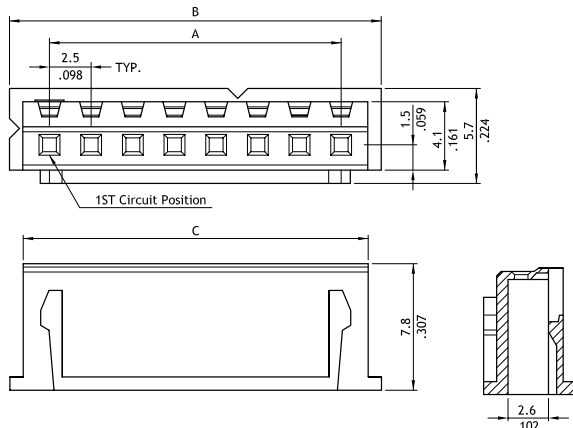
- ⊙ Low profile with locking ribs
- ⊙ Mates with PB06 header
- ⊙ Compatible with PB06 crimp clip terminal
- ⊙ Terminal accommodates AWG #22 ~ #28



Construction

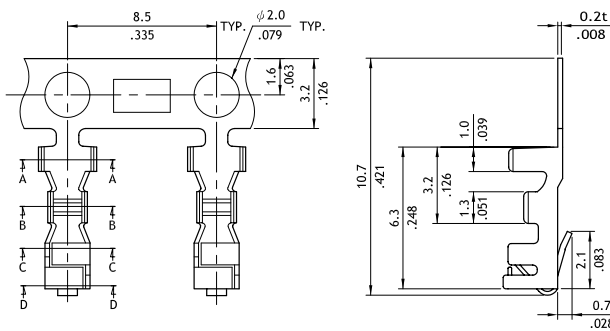
- ⊙ Insulator: Nylon 66 UL 94V-0, Color Natural
- ⊙ Terminal: Tin plated Brass or Phosphor Bronze
- ⊙ Engineering No's: CI22/2520 Series

:E159616

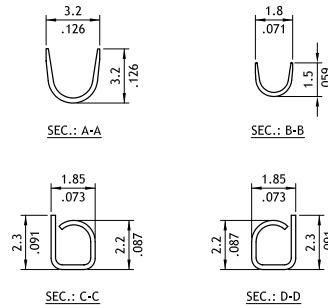


| Circuits | Dimension | | |
|----------|-------------|-------------|-------------|
| | A | B | C |
| 2 | 2.5(.098) | 7.4(.291) | 5.8(.228) |
| 3 | 5.0(.197) | 9.9(.390) | 8.3(.327) |
| 4 | 7.5(.295) | 12.4(.488) | 10.8(.425) |
| 5 | 10.0(.394) | 14.9(.587) | 13.3(.524) |
| 6 | 12.5(.492) | 17.4(.685) | 15.8(.622) |
| 7 | 15.0(.591) | 19.9(.783) | 18.3(.720) |
| 8 | 17.5(.689) | 22.4(.882) | 20.9(.823) |
| 9 | 20.0(.787) | 24.8(.976) | 23.3(.917) |
| 10 | 22.5(.886) | 27.4(1.079) | 25.8(1.016) |
| 11 | 25.0(.984) | 29.9(1.177) | 28.3(1.114) |
| 12 | 27.5(1.083) | 32.4(1.276) | 30.8(1.213) |
| 13 | 30.0(1.181) | 34.9(1.374) | 33.3(1.311) |
| 14 | 32.5(1.280) | 37.4(1.472) | 35.8(1.409) |
| 15 | 35.0(1.378) | 39.9(1.571) | 38.3(1.508) |
| 16 | 37.5(1.476) | 42.4(1.669) | 40.8(1.606) |
| 17 | 40.0(1.575) | 44.9(1.768) | 43.3(1.705) |
| 18 | 42.5(1.673) | 47.4(1.866) | 45.8(1.803) |
| 19 | 45.0(1.772) | 49.9(1.965) | 48.3(1.902) |
| 20 | 47.5(1.870) | 52.4(2.063) | 50.8(2.000) |

⊙ Engineering No's: CI22/2593 Series



| Part No. | Wire Range | Insulation Diameter | Reel Qty |
|-------------|-------------|---------------------|------------|
| PB06T021*E0 | AWG #22-#28 | 1.9 MAX. (.075) | 7,000 PCS. |



Ordering Code

1 **2** **3** **4**
PB06 **20** **S** **0000**

- 1 Series No.
- 2 No. of Circuits: 02 to 20
- 3 S= Connector housing
- 4 Other options:
 0000= Standard
 * Special options Consult factory

1 **2** **3** **4** **5** **6**
PB06 **T02** **1** **P** **E** **0**

- 1 Series No.
- 2 Type: T02= AWG #22 ~ #28
- 3 Plating : 1= Tin over Nickel plated
- 4 Material: P= Phosphor Bronze
 B= Brass
- 5 Plating method : E= Pre-tinned
- 6 Other options: 0= Standard