

PB08 Series 2.5mm(.098") Wire to Board Connector

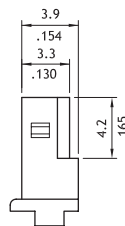
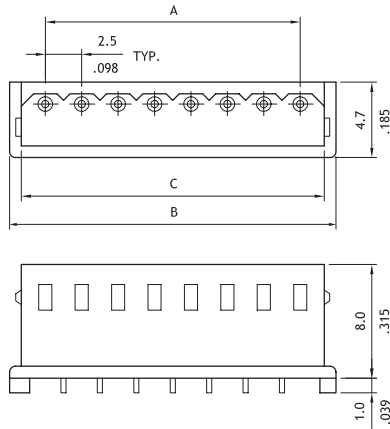
- ⊙ Low profile with locking ribs
- ⊙ Mates with PB08 header
- ⊙ Compatible with PB08 crimp clip terminal
- ⊙ Terminal accommodates AWG #22 ~ #28

Construction

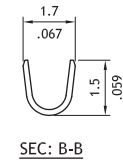
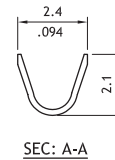
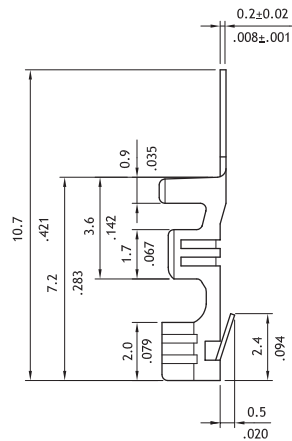
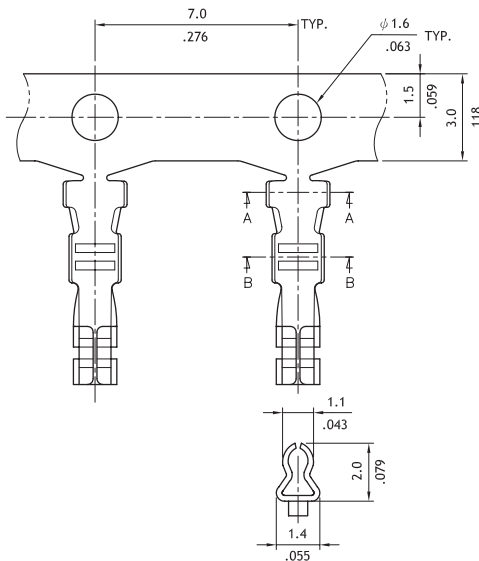
- ⊙ Insulator: Nylon 66 UL 94V-2, Color Ivory
- ⊙ Terminal: Tin plated Brass or Phosphor Bronze
- ⊙ Engineering No's: CI25/2508 Series



E159616



| Circuits | Dimension | | |
|----------|-------------|-------------|-------------|
| | A | B | C |
| 2 | 2.5(.098) | 7.4(.291) | 5.9(.232) |
| 3 | 5.0(.197) | 9.9(.390) | 8.4(.331) |
| 4 | 7.5(.295) | 12.4(.488) | 10.9(.429) |
| 5 | 10.0(.394) | 14.9(.587) | 13.4(.528) |
| 6 | 12.5(.492) | 17.4(.685) | 15.9(.626) |
| 7 | 15.0(.591) | 19.9(.783) | 18.4(.724) |
| 8 | 17.5(.689) | 22.4(.882) | 20.9(.823) |
| 9 | 20.0(.787) | 24.9(.980) | 23.4(.921) |
| 10 | 22.5(.886) | 27.4(1.079) | 25.9(1.020) |
| 11 | 25.0(.984) | 29.9(1.177) | 28.4(1.118) |
| 12 | 27.5(1.083) | 32.4(1.276) | 30.9(1.217) |
| 13 | 30.0(1.181) | 34.9(1.374) | 33.4(1.315) |
| 14 | 32.5(1.280) | 37.4(1.472) | 35.9(1.413) |
| 15 | 35.0(1.378) | 39.9(1.571) | 38.4(1.512) |



| Part No. | Wire Range | Insulation Diameter | Reel Qty |
|-------------|-------------|---------------------|-------------|
| PB08T021*E0 | AWG #22-#28 | 1.9 (.075) MAX. | 10,000 PCS. |

Ordering Code

1 PB08 **2** 15 **3** S **4** 0000

- 1 Series No.
- 2 No. of Circuits: 02 to 15
- 3 S= Connector housing
- 4 Other options:
0000= Standard
* Special options Consult factory

1 PB08 **2** T02 **3** 1 **4** P **5** E **6** 0

- 1 Series No.
- 2 Type: T02= AWG #22 ~ #28
- 3 Plating : 1= Tin over Nickel plated
* Optional plating available but MOQ requested
- 4 Material: P= Phosphor Bronze
B= Brass
- 5 Plating method : E= Pre-tinned
- 6 Other options: 0= Standard