

PB08 Series 2.5mm(.098") Pin Header

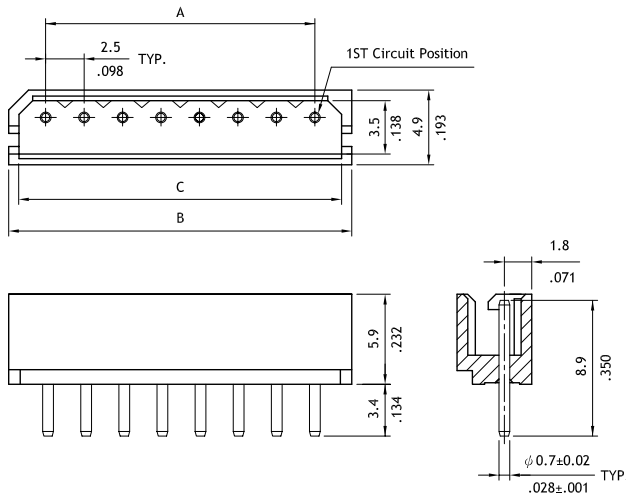
- ⊙ With locking slot
- ⊙ Mates with PB08 housing

Construction

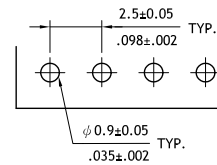
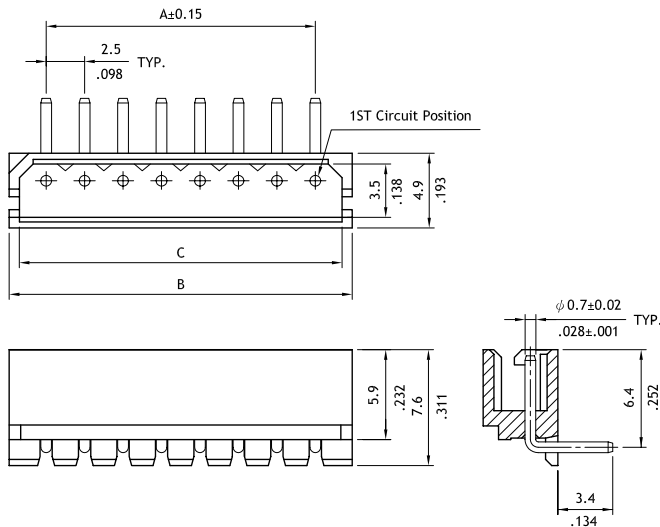
- ⊙ Insulator: Nylon 66 UL 94V-0, Color Ivory
- ⊙ With Tin plated 0.7mm round pin
- ⊙ Engineering No's: CI25/2509 Series



AI AI:E159616



Circuits	Dimension		
	A	B	C
2	2.5(.098)	7.5(.295)	6.0(.236)
3	5.0(.197)	10.0(.394)	8.5(.335)
4	7.5(.295)	12.5(.492)	11.0(.433)
5	10.0(.394)	15.0(.591)	13.5(.531)
6	12.5(.492)	17.5(.689)	16.0(.630)
7	15.0(.591)	20.0(.787)	18.5(.728)
8	17.5(.689)	22.5(.886)	21.0(.827)
9	20.0(.787)	25.0(.984)	23.5(.925)
10	22.5(.886)	27.6(1.087)	26.0(1.024)
11	25.0(.984)	30.1(1.185)	28.5(1.122)
12	27.5(1.083)	32.6(1.283)	31.0(1.220)
13	30.0(1.181)	35.1(1.382)	33.5(1.319)
14	32.5(1.280)	37.6(1.480)	36.0(1.417)
15	35.0(1.378)	40.1(1.579)	38.5(1.516)



Recommended P.C. Board Layout

Ordering Code

1 **PB08** **2** **15** **3** **P** **4** **1** **5** **V** **6** **00**

- 1** Series No.
- 2** No. of Circuits: 02 to 15

- 3** P= Pin header
- 4** Plating code:
1= Tin over Nickel plated
* Optional plating available but
MOQ requested

- 5** Type: V= Straight
H= Right angle
- 6** Other options: 00= Standard
* Special options Consult factory