

PB10 Series 2.5mm(.098") Board In Connector

- ⊙ Low profile latch housing
- ⊙ Compatible with PB09, PB10 crimp board terminal
- ⊙ Terminal accommodates AWG #22 ~ #28

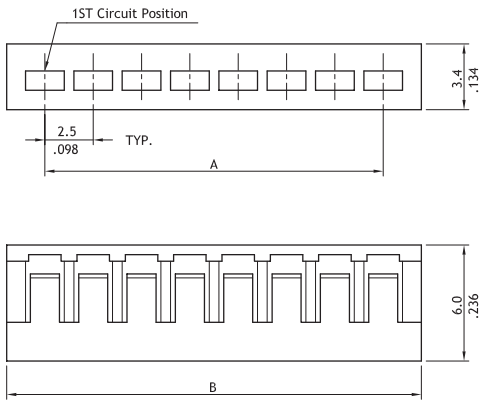
Construction

- ⊙ Insulator: Nylon 66 UL 94V-0, Color Natural
- ⊙ Terminal: Tin plated Phosphor Bronze
- ⊙ Engineering No's: CI27/2512 Series

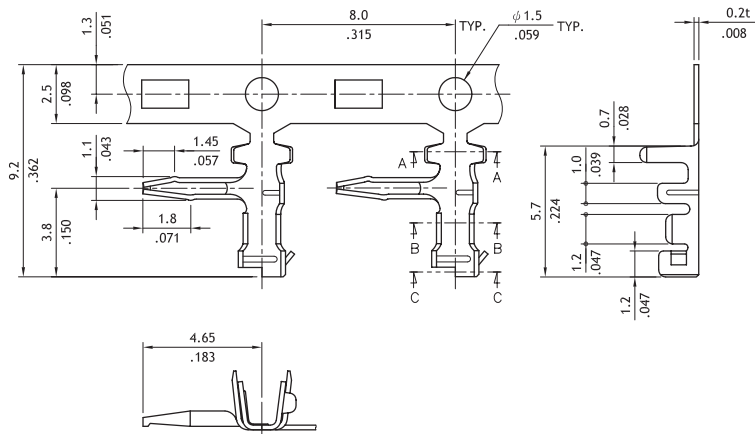


E82349

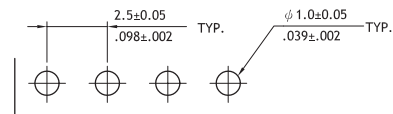
LR65731



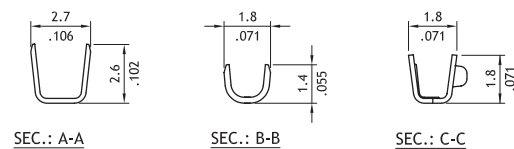
Circuits	Dimension	
	A	B
2	2.5(.098)	5.7(.224)
3	5.0(.197)	8.2(.323)
4	7.5(.295)	10.7(.421)
5	10.0(.394)	13.2(.520)
6	12.5(.492)	15.7(.618)
7	15.0(.591)	18.2(.717)
8	17.5(.689)	20.7(.815)
9	20.0(.787)	23.2(.913)
10	22.5(.886)	25.7(1.012)
11	25.0(.984)	28.2(1.110)
12	27.5(1.083)	30.7(1.209)
13	30.0(1.181)	33.2(1.307)
14	32.5(1.280)	35.7(1.406)
15	35.0(1.378)	38.2(1.504)



Part No.	Wire Range	Insulation Diameter	Reel Qty
PB10T021PEH	AWG #22-#28	1.7 (.067) MAX.	10,000 PCS



Recommended P.C. Board Layout



Ordering Code

1 **PB10** **2** **15** **3** **S** **4** **0000**

- 1** Series No.
- 2** No. of Circuits: 02 to 15
- 3** S= Connector housing
- 4** Other options:
0000= Standard
* Special options Consult factory

1 **PB10** **2** **T02** **3** **1** **4** **P** **5** **E** **6** **H**

- 1** Series No.
- 2** Type: T02= AWG #22 ~ #28
- 3** Plating : 1= Tin over Nickel plated
* Optional plating available but MOQ requested
- 4** Material: P= Phosphor Bronze
- 5** Plating method : E= Pre-tinned
- 6** Other options: H= Right Angle Terminal