

**PB17 Series 1.25mm(.049") Wire to Board Connector**

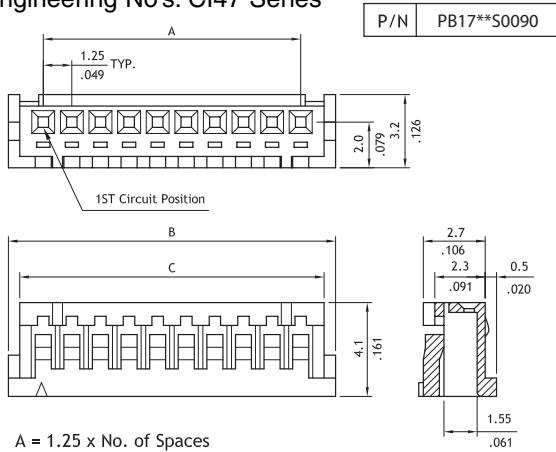
- ⊙ Latch housing secures terminal in housing and provides extra terminal retention
- ⊙ Polarization with locks provides secure mating
- ⊙ Please see table below for available circuits
- ⊙ Terminal accommodates AWG #28 ~ #32



**Construction**

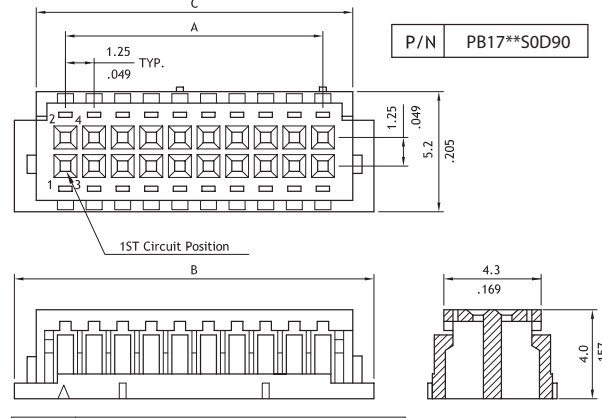
- ⊙ Insulator: Nylon 66 UL 94V-0, Color Gray
- ⊙ Terminal: Tin plated Phosphor Bronze
- ⊙ Engineering No's: CI47 Series

⊙ Engineering No's: CI47/1262 Series



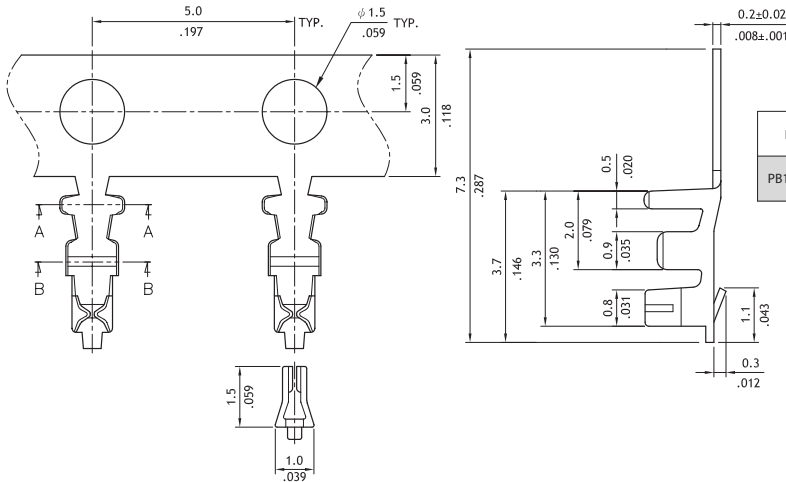
A = 1.25 x No. of Spaces  
 B = A + 2.9  
 C = A + 1.75

\* Available in 4 through 15 circuits

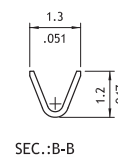
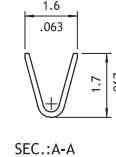


Circuits	Dimension		
	A	B	C
10	5.00(.197)	10.3(.406)	8.00(.315)
20	11.25(.443)	16.6(.654)	14.25(.561)
30	17.75(.700)	23.1(.909)	20.50(.807)
40	23.75(.935)	29.1(1.146)	26.75(1.053)

⊙ Engineering No's: CI47/1261 Series



Part No.	Wire Range	Insulation Diameter	Reel Qty
PB17T01*PE0	AWG #28-#32	1.0 (.039) MAX.	10,000 PCS.



**Ordering Code**

**1** **2** **3** **4**  
**PB17 15 S00 90**

- ① Series No.
- ② No. of Circuits: See Drawing
- ③ S00= Single row housing  
S0D= Dual row housing
- ④ Other options:  
90= Color Gray (Standard)  
\* Special options Consult factory

**1** **2** **3** **4** **5** **6**  
**PB17 T01 1 P E 0**

- ① Series No.
- ② Type: T01= AWG #28 ~ #32
- ③ Plating: 1= Tin over Nickel plated  
\* Optional plating available but MOQ requested
- ④ Material: P= Phosphor Bronze
- ⑤ Plating method: E= Pre-tinned
- ⑥ Other options:  
0= Standard