

PB22 Series 7.5-5.0mm(.295-.197") Wire to Board Connector

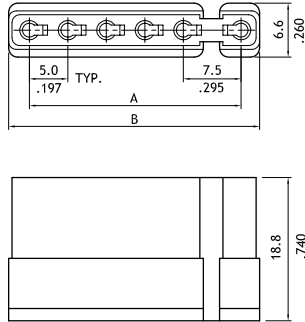
- ⊙ Mates with PB22 header
- ⊙ Compatible with PB22 crimp clip terminal
- ⊙ Terminal accommodates AWG #18 ~ #22

Construction

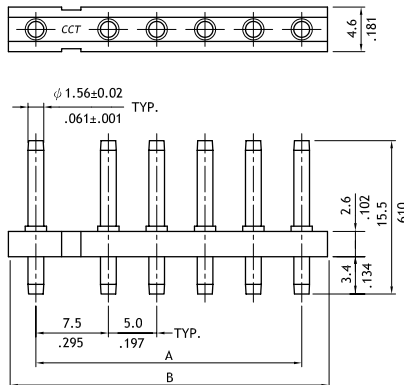
- ⊙ Insulator: Nylon 66 UL 94V-0, Color Natural
- ⊙ With Tin plated 1.56mm round pin
- ⊙ Terminal: Tin plated Brass
- ⊙ Engineering No's: CI61/7555 Series



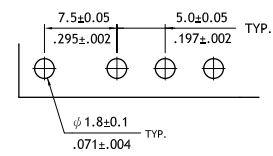
CI **CI**:E159616



Circuits	Dimension	
	A	B
1	-	6.8(.268)
2	7.5(.295)	13.0(.512)
3	12.5(.492)	17.5(.689)
4	17.5(.689)	23.0(.906)
5	22.5(.886)	28.0(1.102)
6	27.5(1.083)	33.0(1.299)

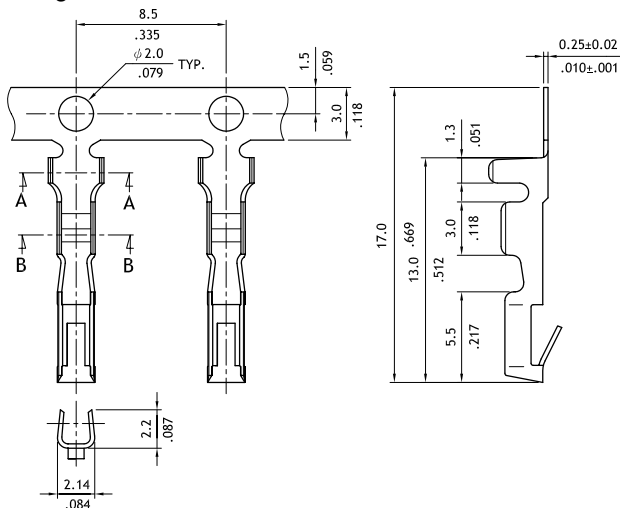


Circuits	Dimension	
	A	B
2	7.5(.295)	12.5(.492)
3	12.5(.492)	17.5(.689)
4	17.5(.689)	22.5(.886)
5	22.5(.886)	27.5(1.083)
6	27.5(1.083)	32.5(1.280)

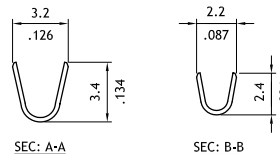


Recommended P.C. Board Layout

Engineering No's: CI61/7553 Series



Part No.	Wire Range	Insulation Diameter	Reel Qty
PB22T031BE0	AWG #18-#22	2.48 (.098) MAX.	6,000 PCS



Ordering Code

1 **2** **3** **4**
PB22 06 S 0000

- 1 Series No.
- 2 No. of Circuits: 01 to 06
- 3 S= Connector housing
- 4 Other options:
 0000= Standard
 * Special options Consult factory

1 **2** **3** **4** **5** **6**
PB22 06 P I V 00

- 1 Series No.
- 2 No. of Circuits: 02 to 06
- 3 P= Pin header
- 4 Plating code: 1= Tin over Nickel plated
 * Optional plating available but MOQ requested
- 5 Type: V= Straight
- 6 Other options: 00= Standard
 * Special options Consult factory