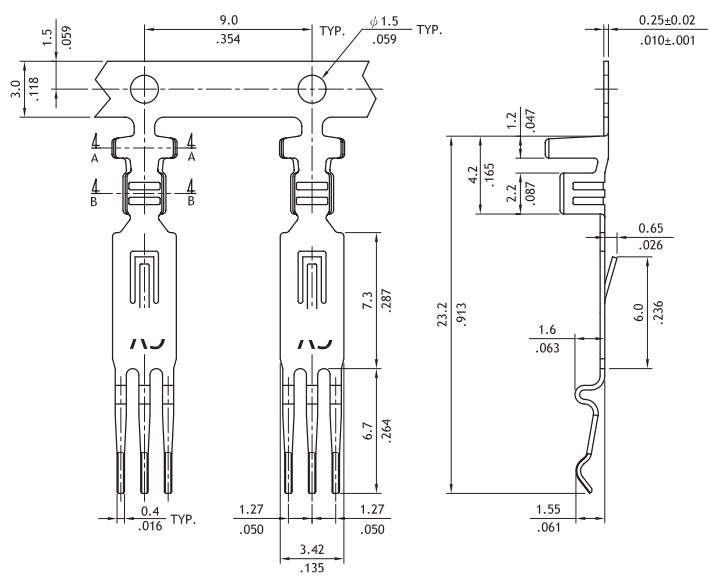
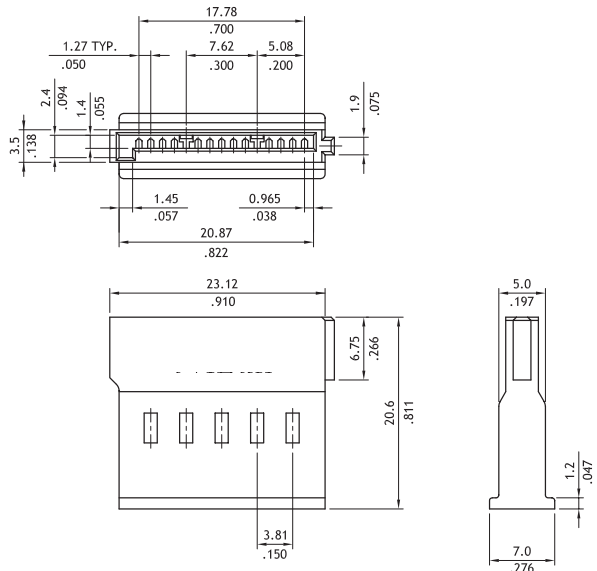
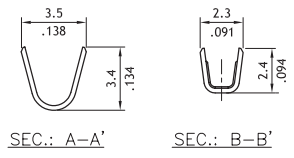


PB30 Series Serial ATA Power Receptacle Connectors

- ⊙ Meets Serial ATA Specification
- ⊙ Connector interface for both 2.5" and 3.5" devices
- ⊙ Supporting power delivery with 12.0V, 5.0V and 3.3V
- ⊙ Engineering No's: CI94 Series



Part No.	Wire Range	Insulation Diameter
PB30T03**PPO	AWG #18-#22	2.48 (MAX. .098)



Ordering Code



- 1** Series No.
- 2** P= Power
- 3** F= Female
- 4** Color: 001= Color Black
- 5** Other options: 00= Standard
- 1** Series No.
- 2** Type: T03= AWG #18 ~ #22
- 3** Plating code: A= Selective Gold flash plated 50µ"Nickel
- 4** Material: P= Phosphor Bronze
- 5** Plating method: P= Post plating
- 6** Option: 0= Standard