

PB01 Series 2.00mm(.079") Wire to Board Connector

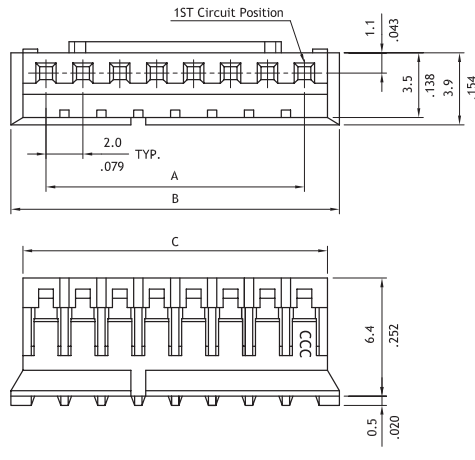
- ⊙ Low profile latch housing
- ⊙ Mates with PB01 header
- ⊙ Compatible with PB01 crimp clip terminal
- ⊙ Terminal accommodates AWG #24 ~ #30

Construction

- ⊙ Insulator: Nylon 66 UL 94V-0, Color Natural
- ⊙ Terminal: Tin plated Phosphor Bronze
- ⊙ Engineering No's: CI01/2010 Series



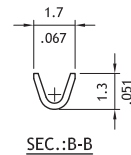
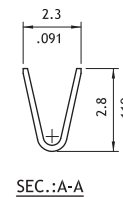
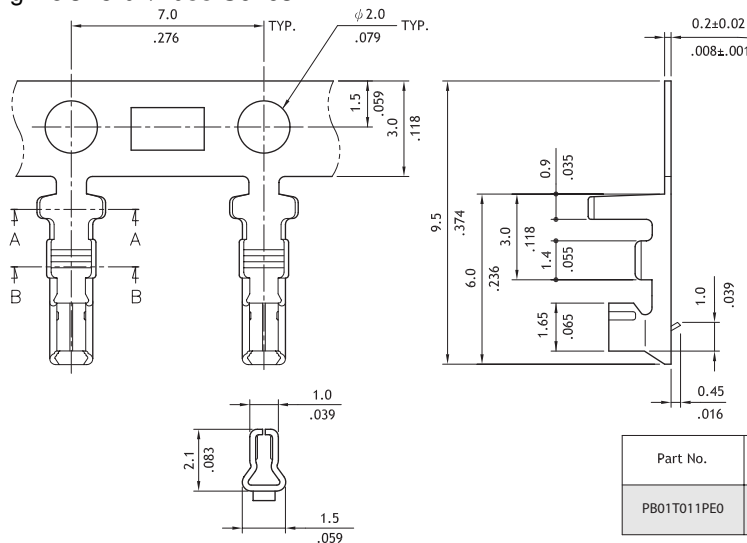
:E159616



A = 2.0 x (No. of Circuits - 1)
 B = A + 3.8
 C = A + 2.5
 * Available in 2 through 15 circuits



⊙ Engineering No's: CI01/2033 Series



Part No.	Wire Range	Insulation Diameter	Reel Qty
PB01T011PE0	AWG #24-#30	1.4 (.055) MAX.	10,000 PCS.

Ordering Code

1 PB01 **2** 15 **3** S **4** 0000

- 1** Series No.
- 2** No. of Circuits: 02 to 15
- 3** S= Connector housing
- 4** Other options:
0000= Standard
* Special options Consult factory

1 PB01 **2** T01 **3** 1 **4** P **5** E **6** 0

- 1** Series No.
- 2** Type: T01= AWG #24 ~ #30
- 3** Plating : 1= Tin over Nickel plated
- 4** Material:
P= Phosphor Bronze
- 5** Plating method : E= Pre-tinned
- 6** Other options:
0= Standard