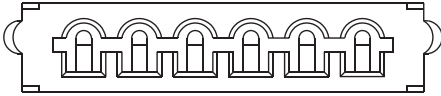


# PB28 Series 2.5mm(.098") Straight wire holder Connectors

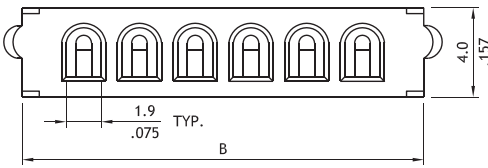
- ⊙ Low cost
- ⊙ With retaining PCB pegs
- ⊙ Insulator: Polyester UL 94V-0, Color Natural
- ⊙ Accommodates AWG #24 ~ #26 cables
- ⊙ Engineering No's: CI91/2422 Series



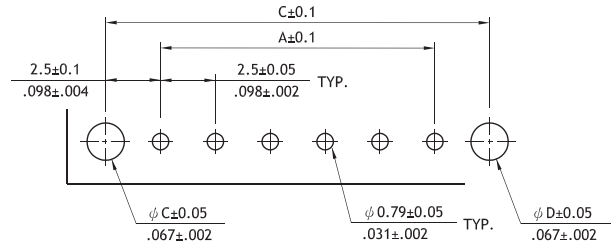
**UL** E82349



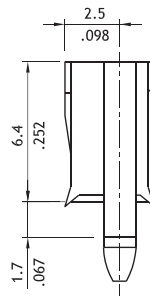
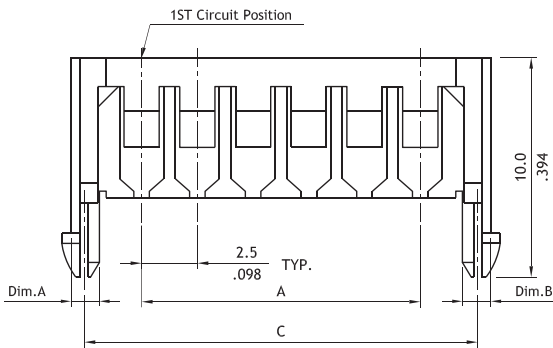
P/N: PB28\*\*SA000



P/N: PB28\*\*SB000



Recommended P.C. Board Layout



- A = 2.5 x No. of Spaces
- B = A + 5.3
- C = A + 5.0
- \* Available in 2 through 15 circuits

ACCOMMODATED WIRE SIZE: AWG#24-#26			
Discrete Wire (Type 1)	Stripped Flat Cable (Type 2)	Notched Flat Cable (Type 3)	Split Ribbon Cable (Type 4)

## Ordering Code

**1** PB28    **2** 15    **3** SA    **4** 000

- ① Series No.
- ② No. of Circuits: 02 to 15
- ③ Connector style:
  - SA: For Wire Type 1,2 and 4
  - SB: For Wire Type 1,3 and 4
- ④ Other options:
  - 000= DIM.A=1.75 DIM.B=1.75
  - DIM.C=1.7 DIM.D=1.7 (Standard)
  - 00A= DIM.A=1.75 DIM.B=1.65
  - DIM.C=1.7 DIM.D=1.6
  - \* Special options Consult factory